

Introduction

Thank you for purchasing the Atomos Shinobi II. Equipped with an exceptional 1500–Nit IPS display featuring 10–Bit processing and the powerful AtomHDR engine, the Shinobi II is a perfect companion for your Hybrid/Mirrorless camera. Monitor 4K inputs at up to 30p, or 1080p at up to 60p, and use AtomOS 11’s wide range of professional tools, including camera control, to get the perfect shot. Please take the time to read through this Quick Start Guide and register your product for free updates.

What’s in the box

- ✓ 1 x Shinobi II
- ✓ 1 x USB–C 2.0 Cable
- ✓ 1 x HDMI + USB–C Locking cable adapter
- ✓ 1 x Quick Start Guide

You will also need (sold separately)

HDMI Cable

Atomos have a range of HDMI cables with locking connectors in a range of lengths and connector sizes to fit every camera. See the full range of Atomos HDMI cables on our website www.atomos.com/accessories

简介

感谢您购买Atomos Shinobi II。Shinobi II配备了出色的1500 Nit 超高亮度 IPS显示屏，支持10位处理和强大的AtomHDR引擎，是您无反相机的完美拍档。它可以支持最高30p的4K输入或最高60p的1080p输入，并且使用AtomOS 11的广泛专业工具，包括相机控制，来获得完美的画面。请花时间阅读本快速入门指南并注册您的产品以获取免费更新。

包装内容

- ✓ 1 x Shinobi II
- ✓ 1 x USB–C 2.0 线缆
- ✓ 1 x HDMI + USB–C 带锁定的安装适配器
- ✓ 1 x 快速入门手册

您需要自行准备 (另行销售)

HDMI 线缆

Atomos提供多种带锁定的HDMI线缆供您选择，长度和连接器尺寸多样以适配于各种相机。请访问我们的网站 www.atomos.com/accessories 查看Atomos HDMI线缆的全部系列。

Connect and power–up

Power

The Shinobi II has a single battery slot. To connect a compatible battery, place the battery in front of the retaining lug, align with the connectors and slide the battery into the lock position.

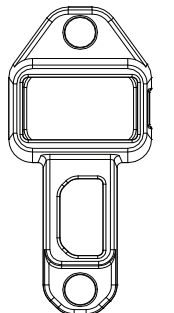
⚠ We recommend using Atomos NP–F series batteries.

The Shinobi II can also be powered via the USB–C PD port via a USB PD power adapter or power bank. It operates at less than 10W during regular use, so please ensure that your USB PD power source can supply at least 10W of power.

Locking cable adaptor

The removable HDMI + USB–C Locking cable adaptor is intended for use with our wide range of locking cables, and is attached via two Philips–head screws.

Once screwed–in, and with your cables securely locked in, you’ll have total peace of mind that they’ll stay in place for the rest of your shoot.



连接和供电

供电

Shinobi II 具有一个电池插槽。如使用兼容的电池，将电池放置在插槽中对齐滑槽并向下将电池推动到锁定位置。

⚠ 我们推荐使用Atomos 的NP–F系列电池。

Shinobi II 也可以使用USB–C PD接口进行供电，支持USB PD电源适配器和移动电源。通常Shinobi II的功耗低于10W，请确保您的USB PD电源/移动电源支持最少10W的功率输出。

锁定线缆适配器

可移除的HDMI和USB–C锁定线缆适配器是与Atomos原厂发售的锁定线缆搭配使用的。适配器通过两颗十字螺丝来与主机固定。

与主机固定好以后，便可以使用锁定线缆来确保在拍摄的时候不必担心线缆松动造成影响。

Hardware Features

A. On/Off and Screen Lock

To turn the Shinobi II on, press the power button on the side of the unit. To shut down, hold the button for at least 4 seconds (until unit turns off).

B. Remote Control

The Shinobi screen can be calibrated using the Calibrite Display Pro HL/Plus HL. To connect you will need a USB to serial cable. Refer to the AtomX accessory range. USB to serial cable (ATOMCAB004).

C. HDMI In

The HDMI input supports 4K signals at up to 30p, or 1080p at up to 60p

D. Battery Release Button

Press and slide the battery away from unit to remove.

E. SD Card Slot

Use SD cards to load LUTs and/or update firmware.

F. Locking Cable adaptor

Removable adaptor to support Atomos locking cables.

G. 1/4–inch Screw Mount

1/4–inch mounting thread with locating pin holes

H. USB–C Control and Power

Power the unit via USB PD (in/out), connect to your camera to control it via the Shinobi II, or calibrate the display without connecting to a computer (Calibrite probe required).

硬件介绍

A.开关机和屏幕锁定

轻按电源键并松开即可开启Shinobi II，如需关机需要长按电源至少4秒钟直到屏幕关闭。

B. 校色控制接口

Shinobi II的屏幕可以通过Calibrate Display Pro HL/Plus HL校色仪来校准屏幕。校准还需要使用一根USB至串口线来与Shinobi通讯。请参考AtomX附件USB至串口线（ATOMCAB004）。

C. HDMI输入

HDMI输入接口最高支持4K 30p或者1080 60p的信号输入。

D. 电池释放按钮

按此按钮并向上滑动电池即可移除电池。

E. SD卡仓

用以加载LUT和古剑升级。

F. 锁定线缆适配器

可移除的适配器用以搭配Atomos锁定线缆。

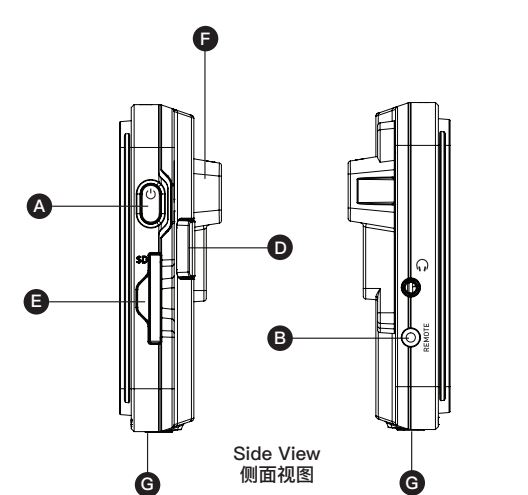
G. 1/4”安装螺丝孔

1/4” 安装螺丝孔，带有防偏转定位孔

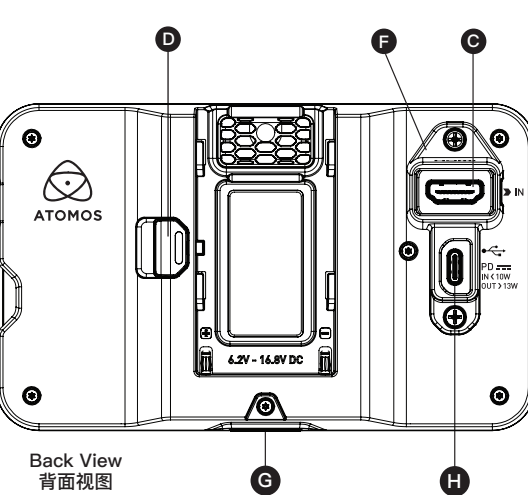
H. USB–C 控制和供电

支持USB PD供电（输入或输出），连接支持的相机进行反向控制，或者使用校色仪校准监视屏幕（需使用校色仪）。

Hardware Features / 硬件介绍



- Ⓐ On/Off and Screen Lock
开关机和屏幕锁定
- Ⓑ Remote Control
校色控制接口
- Ⓒ HDMI In
HDMI输入
- Ⓓ Battery Release
电池释放按钮
- Ⓔ SD Card Slot
SD卡仓
- Ⓕ 1/4” 安装孔



- Ⓗ 1/4–inch Screw Mount
1/4” 安装孔
- Ⓖ Locking Cable adaptor
锁定线缆适配器
- Ⓖ USB–C PD / Control
USB–C PD / 控制

Device Management

Register your Shinobi II, learn from tutorials and download user manuals and firmware updates.
my.atomos.com/account

Support

If you experience any issues using Shinobi II, or have an unanswered question don’t hesitate to reach out.
atomos.com/support

User Manual

Scanning the QR code takes you to the FAQ page on our website where you can read up on the products documentation.
support.atomos.com/hc/en-us

在线管理设备

注册您的Shinobi II，学习教程并下载用户手册和固件更新，请访问：
my.atomos.com/account

支持

如果在使用Shinobi II时遇到任何问题或有任何未解答的问题，请随时联系我们。
atomos.com/support

用户手册

扫描二维码将带您进入我们网站的常见问题页面，您可以在[此查阅产品文档](http://support.atomos.com/hc/en-us)。



扫描二维码访问
用户手册